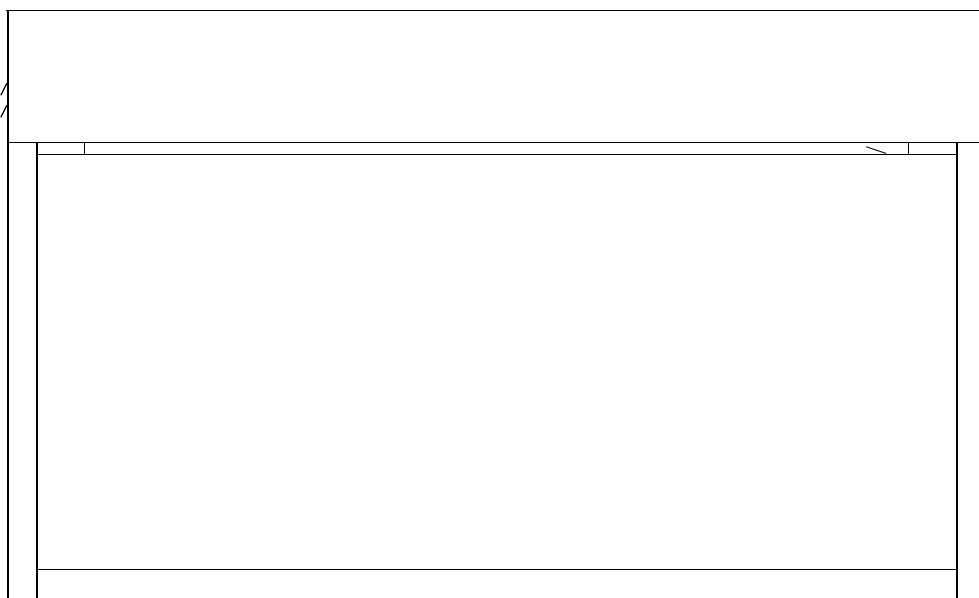


ELECTRIC HEATER WITH REMOTE CONTROL

OHIO



Please read the instructions carefully before installation or use of this electric fire and retained for future reference.

IMPORTANT INFORMATION

This heater must not be located immediately below a socket-outlet.

This heater must be earthed. If in any doubt consult a suitable competent person.

This appliance can be used by children aged from 8 years and above and persons with reduced physical, sensory or mental capabilities or lack of experience and knowledge if they have been given supervision or instruction concerning use of the appliance in a safe way and understand the hazards involved.

In order to avoid a hazard due to inadvertent resetting of the thermal cutout, this appliance must not be supplied through an external switching device, such as a timer, or connected to circuit that is regularly switched on and off by utility.

This appliance is not intended for use by persons (including children) with reduced physical, sensory or mental capabilities, or lack of experience and knowledge, unless they have been given supervision or instruction concerning use of the appliance by a person responsible for their safety.

Children shall not play with the appliance.

Cleaning and user maintenance shall not be made by children without supervision.

Children of less than 3 years should be kept away unless continuously supervised.

Children aged from 3 years and less than 8 years shall only switch on/off the appliance provided that it has been placed or installed in its intended normal operating position and they have been given supervision or instruction concerning use of the appliance in a safe way and understand the hazards involved. Children aged from 3 years and less than 8 years shall not plug in, regulate and clean the appliance or perform user maintenance.

Some parts of this product can become very hot and cause burns. Particular attention has to be given where children and vulnerable people are present.

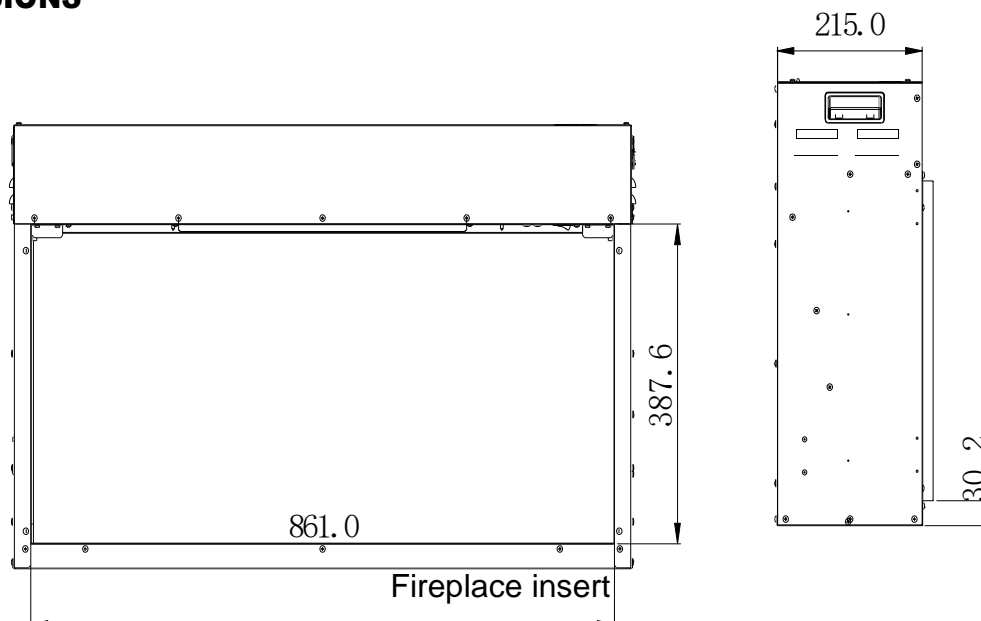
Do not use this fire as a free-standing appliance. It must always be fixed to a wall, fireplace mantel, floor etc.

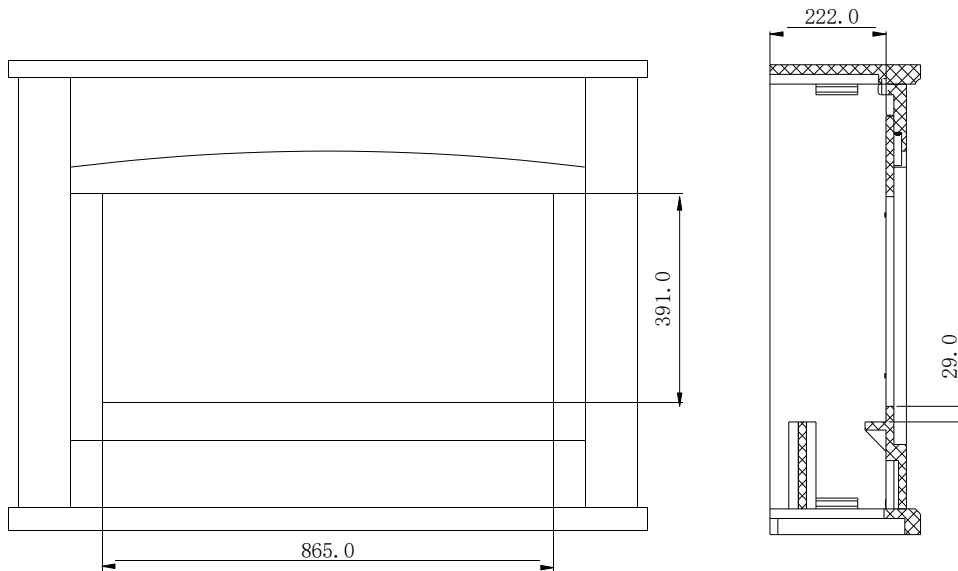
Do not cover: In order to avoid overheating, do not cover the heater.

APPLIANCE DATA

Supply Voltage	AC 230-240V 50Hz
Heating Element	1800W-2000W
Mains Cable	1 X 1.7m (approx)
Illumination	LED system (no replaceable parts)

DIMENSIONS





Fireplace mantel

PARTS AND HARDWARE LIST

- Fixing Bracket 4pcs
- Screw ST4x10 8pcs
- Screw M5x10 4pcs
- Flat Washer ϕ 5 4pcs
- Remote control 1pcs
- Battery 2pcs
- Instruction Manual 1pcs

INSTALLATION

NOTE:

Do NOT use this Electric Fireplace if any part has been under water. Immediately call a qualified service technician to inspect and to replace any part of the electrical system if necessary. Keep plastic wrapping away from children.

Unpack the heater carefully, make sure that the appliance is intact with no signs of damage caused by transport. If in doubt, do not use the appliance and contact an authorised service centre. Please save the original packaging as this may be required in the event of a service complaint with the product. Do not place the electric fire directly on carpets. This to avoid possible discolouring caused by the heat or blockage of air inlets.

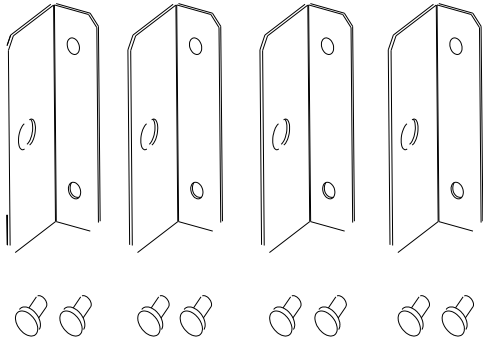
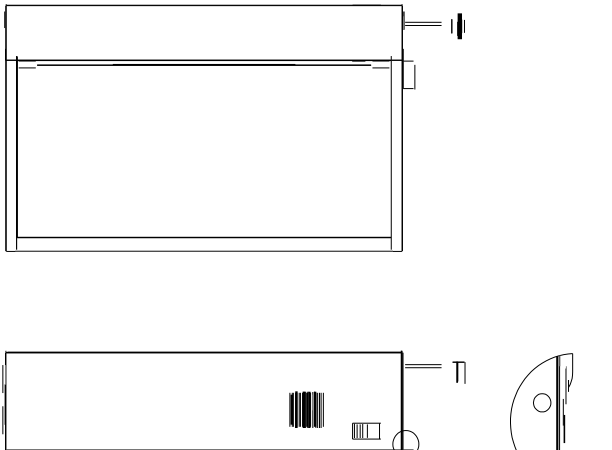
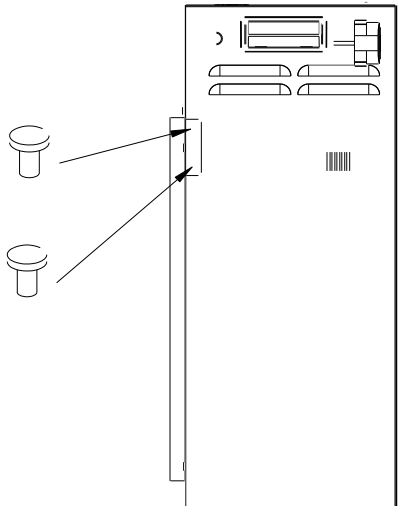
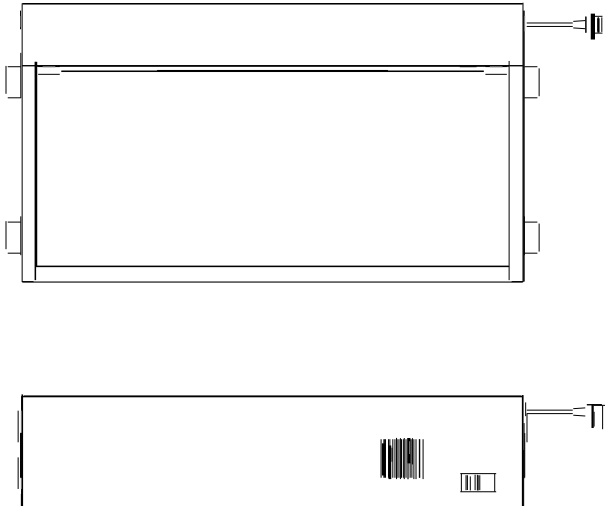
Make sure that the plug or switched fused spur is accessible after the electric fire is fitted.

If the power cord is damaged, it must be repaired by the manufacturer, its authorised service centre or professional person.

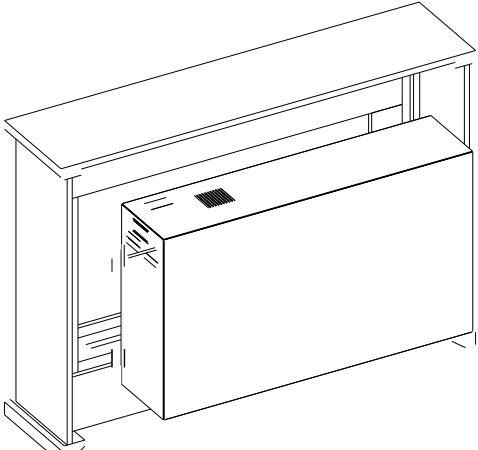
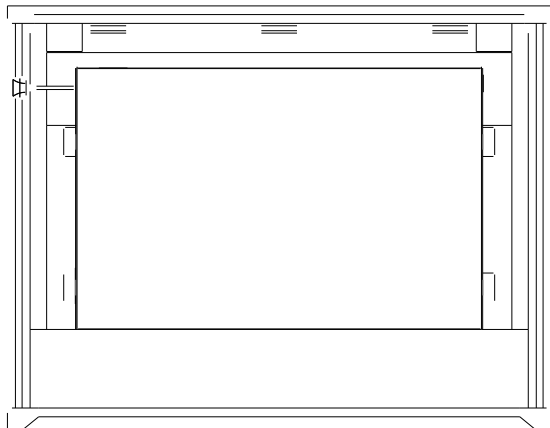
Before connecting the appliance make sure that its rating corresponds to that of the mains supply and the fuse is the correct rating.

The appliance should be located close to a suitable mains socket to enable connection. The electrical socket must be easily accessible to allow disconnection.



● Install Fix Bracket

	
<p>Take out Fixing brackets and ST4×10 screws</p>	<p>Put the Fixing bracket at the right place as above picture; pay attention to the direction</p>
	
<p>Fixing the brackets with ST4×10 screws</p>	<p>Install others Fixing bracket using the same method</p>

● Install fireplace insert

	
<p>Install insert from the back of mantel</p>	<p>Use 4pcs M5×10 screws and 4pcs ϕ 5 flat washers to fix insert to mantel</p>

● Connect the backlight

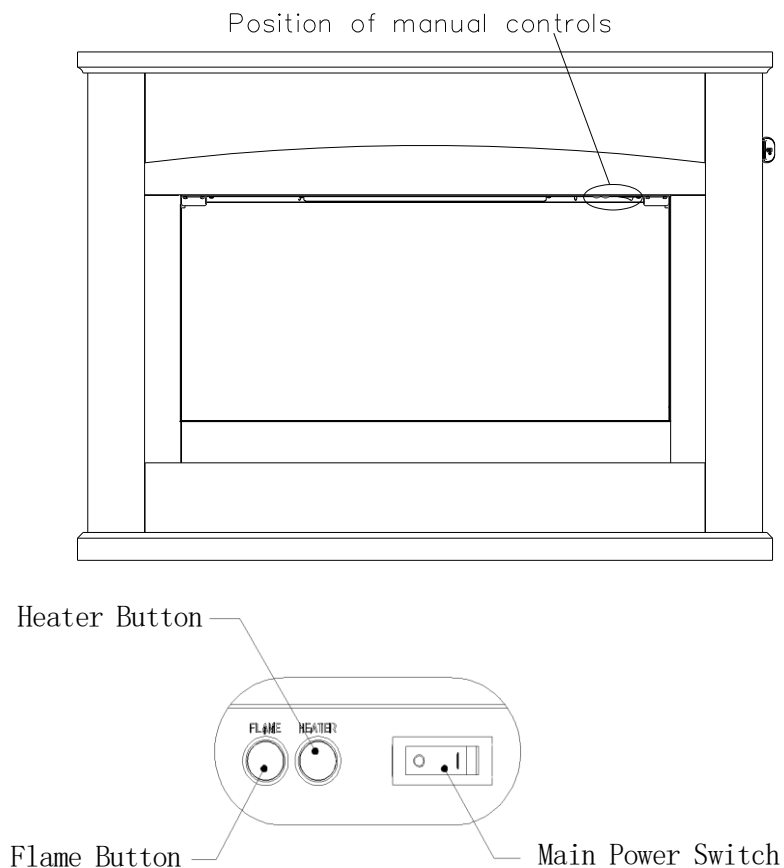
	
Connect the mood lighting	Fully assembled

OPERATION

This appliance can be operated by both remote control and manual button. Once the unit has been properly connected to an earthed electrical outlet, turn on the main switch. A beep should be heard when the power is first applied.

NOTE: To use both remote and manual functions the main on/off switch must be in 'on' position.

● Operating by Manual Button



NOTE: The flame will always be on when the appliance is switched on.

Mainpowerswitch

The POWER switch supplies power to all of the functions of the fireplace. This switch must be in the "ON" position for any of the functions including the remote to work.

Flamebutton

By pressing the FLAME button, the unit will cycle through four flame effect.

Heaterbutton

Press once turns Fan on, and 10s later Low heat on. (Pilot lights illuminated ●○)



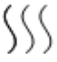


Press again turns on High heat. (Pilot lights illuminated ●●)

Press third time turns heat off. 10s later fan off (Pilot lights illuminated ○○)

There are 3 levels you can cycle through including the OFF setting.

● **Operating by Remote Handset**

**Make sure the batteries are installed properly in the remote control.
The effective range of the remote control is up to 4 meters or 13 feet.**

	ICON	TITLE	FUNCTION
		POWER	Press once turns appliance and flame effects on. Press again turns appliance and flame effects off.
		FLAME	The fire has four flame effects, by pressing the flame effect button the unit will cycle through each effect.
		HEATER	Press once turns Fan on, and 10s later Low heat on. (Pilot lights illuminated ●○) Press again turns on High heat. (Pilot lights illuminated ●●) Press third time turns heat off. 10s later fan off (Pilot lights illuminated ○○) There are 3 levels you can cycle through including the OFF setting.
		TEMP	Digital display shows the TEMP setting 23°C (default), with 14 settings circle from "OFF", "16°C" to "28°C". The TEMP will increase by 1°C up to 28°C when pressed each time. By pressing the TEMP for 3S, the digital display can show between °C and °F.
		TIMER	Cycles from OFF, 0.5H, 1H, 2H, 3H, 4H, 5H, 6H, 7H,8H, to 9H.
		BACK LIGHT	By pressing the backlight button the unit will cycle through 12 effect it including OFF setting.

MAINTENANCE



Warning: Before any maintenance and/or cleaning the exterior of the fireplace, disconnect the unit from the power supply and leave until cooled off.

Remote Handset Battery Replacement

Replace with two AAA batteries. Make sure the batteries are installed correctly in the remote control.

Maintenance of Motors

The motors used on the fan and flame effect are pre-lubricated for extended bearing life and require no further lubrication. However, periodic cleaning/vacuuming of the fan/heater unit is recommended.

Resetting the Thermal Cutout Switch

The appliance is fitted with an Electronic Safety Control (E.S.). This is a safety device, which switches off the fire if, for any reason, the appliance overheats, e.g. when covered. If the heater stops operating whilst the flame effect continues normally, this indicates that the E.S. Control is in operation. The E.S. Control can only be re-set after the appliance has cooled down, in order to re-set the E.S. Control proceed as follows:

Switch off the appliance (Manual On/Off switch) and leave for approximately 10-15 minutes.

Remove any obstruction to the fan heater outlet or fan blades etc. Make sure that the power supply is disconnected at the plug socket outlet whilst you do this.

Switch on appliance and the E.S. Control will re-set.

Ensure that the appliance is functioning correctly. If the E.S. Control operates again, the appliance should be checked by a competent Electrician.

Cleaning the Fireplace

You can clean the exterior of the fireplace with a soft, damp, lint-free cloth. Do not use cleaning or polishing products. To remove fingerprints or other marks on the front glass panel, use a soft, damp, lint-free cloth with a good quality household glass cleaner. The front glass panel should always be completely dried with a clean, lint-free cloth or paper towel.



Caution: Do not use abrasive cleaners on the glass panel. Do not spray liquids directly onto any surface of the unit.



Warning: An authorized service representative should perform any other servicing.

Environment



Meaning of crossed –out wheeled dustbin:

Do not dispose of electrical appliances as unsorted municipal waste, use separate collection facilities. Contact your local government for information regarding the collection systems available. If electrical appliances are disposed of in landfills or dumps, hazardous substances can leak into the groundwater and get into the food chain, damaging your health and well-being. When replacing old appliances with new ones, the retailer is legally obligated to take back your old appliance for disposals at least free of charge.



This fire complies with the European Safety Standards (LVD) EN60335-2-30 and the European Electro Magnetic Compatibility (EMC) EN55014-1, EN55014-2 ,EN61000-3-2 and EN61000-3 which covers the essential requirements of the EEC Directives and 2004/108/EC.